



Product Data Sheet: VIBmount-V

Applications

- Standard capacity
- Pipe-risers and equipment
- Free-standing, un-restrained isolation
- Floor-mount

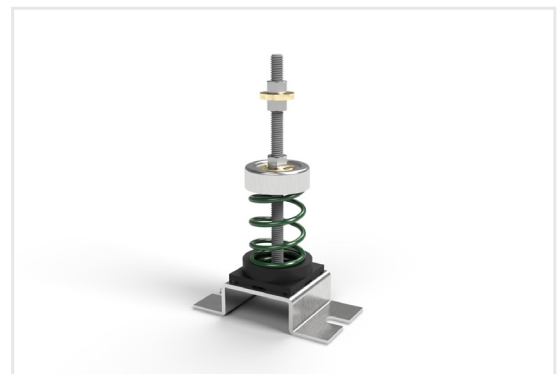
Features

- Large diameter steel spring
- Steel spring cap
- Elastomeric spring cup
- Leveling nut
- Steel load plate with bolt slots
- Meets IBC and ASCE code specifications
- Easy installation

VIBmount-V Isolator

The VIBmount-V Isolator is VIB-ISO's free-standing, un-housed, un-restrained standard floor mount isolator for use with pipe risers and similar equipment. Designed to sit between a structured floor and a mounted piece of equipment, the VIBmount-V Isolator will aid to reduce upward vertical travel, buckling, shifting, and vibration from large mechanical and electrical equipment to the building structure. Each VIBmount-V includes an open-ended, freestanding, large diameter steel spring. The steel spring assembly rests on an elastomeric spring cup and is attached to the floor using a steel mounting plate.

VIB-ISO will engineer each VIBmount-V Isolator to match the specified unit and meet any additional customer requirements. The VIBmount-V Isolator is available in 1" or 2" deflection and is shipped fully assembled with the springs and load plate installed at VIB-ISO to reduce onsite labor. Two mounting slots are provided on the load plate to allow for quick, on-site assembly requiring only basic tools for installation. For larger pieces of equipment, blocks may be used for installation.



Assembled VIBmount-V Isolator

VIBmount-V Attributes

The VIBmount-V Isolator is designed to reduce the vibration from pipe risers and other large-scale mechanical and electrical equipment when seismic and wind restraints are not required. For buildings in which the end user demands critically quiet areas, vibration isolation control of large mechanical and electrical equipment is a necessity.

The VIBmount-V Isolator uses coil spring as a resilient media to absorb the vast majority of the vibration energy emanating from the unit. The VIBmount-V design meets all applicable ASHRAE (American Society of Heating Refrigeration Air-conditioning Engineers) and ASCE (American Society of Civil Engineers) codes and requirements. The VIB-ISO VIBmount-V Isolator is recommended for isolating equipment with large loads operating at speeds that produce vibration concerns including, but not limited to, boilers, pumps, condensers, and other M/E/P equipment with small inertia bases.



VIB-ISO
P.O. Box 1022
Wooster, OH 44691
1-800-735-9645



Product Data Sheet: VIBmount-V

VIBmount-V Specifications

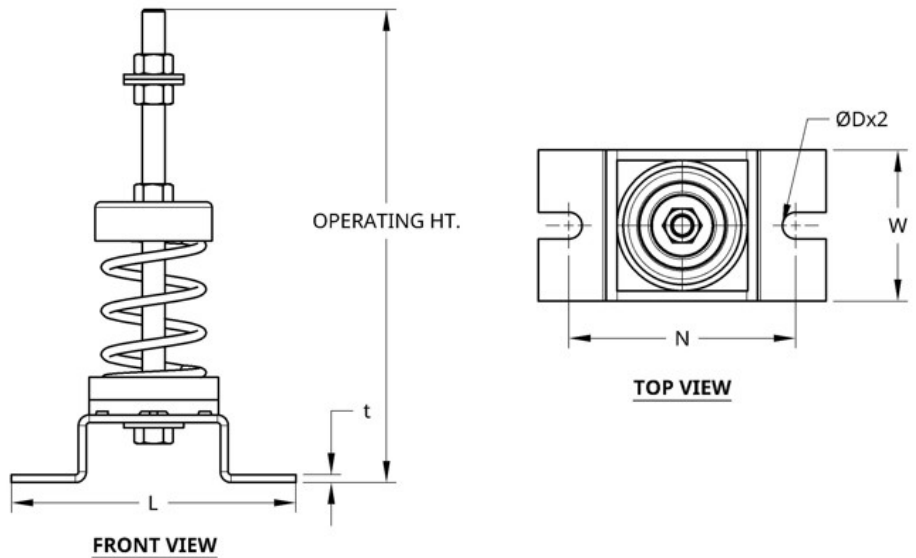
1. Un-restrained spring isolator with constant, free operating height.
2. Elastomeric pad for high frequency noise reduction.
3. Steel coil and plate assembly, painted.
4. Minimum coil overload of 50%.
5. Meets IBC and ASCE code specifications.
6. Lower load plates mechanically fastened to spring.
7. 100% Made in the U.S.A.

ISOLATOR DIMENSIONS (INCHES)						
HOUSING	OPER. HT.	L	N	W	D	t
V	7.92	4.75	3.75	2.50	0.44	0.13

SPRING DATA (INCHES AND POUNDS)					
TYPE	DEF.	RATING	COLOR	FREE HT.	O.D.
V-1-30	1	30	BLUE	3.19	1.75
V-1-70	1	70	GREEN	3.19	1.75
V-1-125	1	125	GRAY	3.19	1.75
V-1-205	1	205	BROWN	3.19	1.75
V-1-375	1	375	ORANGE	3.19	1.75
V-1-500	1	500	RED	3.19	1.75
V-1-600	1	600	BLACK	3.19	1.75
V-1-700	1	700	RED/GRAY	3.19	1.75
V-1-800	1	800	BLACK/GRAY	3.19	1.75

Additional Options

- 1" or 2" deflection
- Installation blocks for larger equipment



For more information regarding the VIBmount-V Isolator, please visit us at www.vibiso.com.

REV 7/26