



# Product Data Sheet: VIBmount-TR

## Applications

- Prevention of excessive movement due to thrust
- Attach to a structured floor or wall

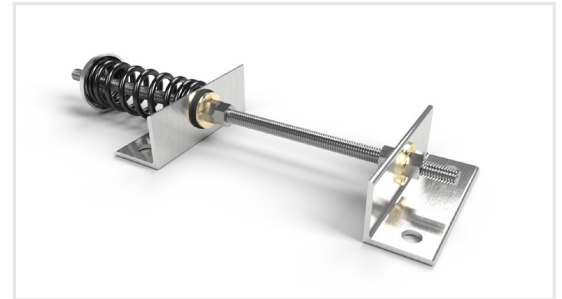
## Features

- Compact steel spring assembly
- Two, structural steel mounting brackets
- Anti-short circuit, rubber snubbing grommet
- Easy installation
- 1" or 2" deflection

## VIBmount-TR Isolator

The VIBmount-TR is VIB-ISO's noise and vibration reducing thrust restraint isolator. Designed to attach between a structure and an air handling piece of equipment, the VIBmount-TR isolator will aid to reduce the vibration from large air handling equipment to the building structure. Each VIBmount-TR includes a compact, steel spring assembly which rests on a anti-short circuit, rubber snubbing grommet. A 12", adjustable all thread rod is mechanically fastened to two structural steel mounting brackets to meet specific on-site requirements of the piece of equipment. The VIBmount-TR isolator can be used individually or in pairs to counteract thrust and equalize the load produced by fans and other air handling equipment during operation.

VIB-ISO will engineer each VIBmount-TR isolator to match the specified piece of equipment and meet any additional customer requirements. The VIBmount-TR system is available in 1" or 2" deflection and is shipped fully assembled with the springs and structural steel mounting brackets attached at VIB-ISO to reduce onsite labor. Two mounting holes are provided on each load plate to allow for quick, on-site assembly requiring only basic tools for installation.



*Assembled VIBmount-TR Isolator*

## VIBmount-TR Attributes

The VIBmount-TR isolator is designed to reduce the vibration from most large-scale air handling equipment for buildings in which the end user demands critically quiet areas. High torque equipment that moves large volumes of air in a building should be isolated in order to prevent noise emanating to the building occupants. The VIBmount-TR isolator will isolate these large pieces of equipment and their components from the building structure, thus limiting disruption to the end user.

The VIBmount-TR isolator uses a compact, steel spring assembly as a resilient media to absorb the vast majority of the vibration energy emanating from air handling equipment. The VIBmount-TR design meets all applicable industry standards, codes, and requirements. VIB-ISO's VIBmount-TR isolator is recommended for isolating equipment with excessive movements due to thrust, torque or other large forces that produce vibration concerns including, but not limited to, fans, air handling equipment, ductwork, and other M/E/P equipment.



**VIB-ISO**  
P.O. Box 1022  
Wooster, OH 44691  
1-800-735-9645



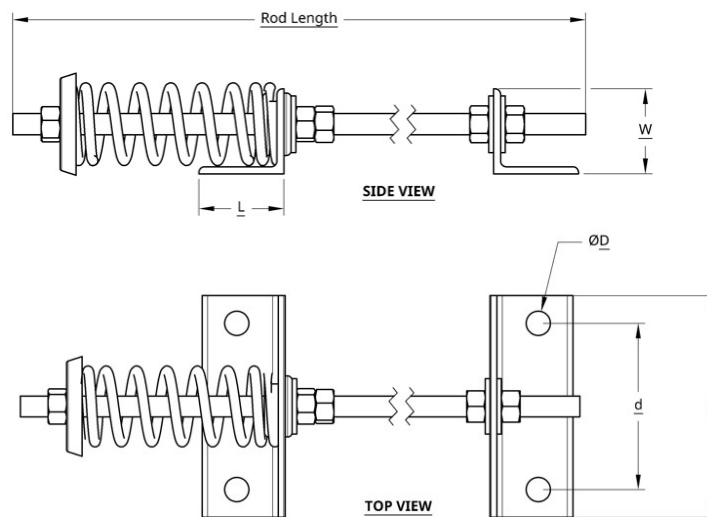
# Product Data Sheet: VIBmount-TR

## VIBmount-TR Specifications

1. Compact, steel spring assembly.
2. Anti-short circuit, rubber snubbing grommet.
3. 12" all thread rod.
4. Structural steel mounting brackets.
5. Steel coil and brackets assembly, painted.
6. Minimum coil overload of 50%.
7. 100% Made in the U.S.A.

ISOLATOR DIMENSIONS (INCHES)							
HOUSING	ROD LENGTH	L	W	T	ROD DIA.	d	D
TR	12.00	1.50	1.50	4.00	0.375 dia.	3.00	0.4375 dia.

SPRING DATA (INCHES AND POUNDS)					
HOUSING	TYPE	RATING	COLOR	FREE HT.	O.D.
TR	1	30	BLUE	2.50	1.50
TR	1	60	GREEN	2.50	1.50
TR	1	120	RED	2.50	1.50
TR	1	200	BLACK	2.50	1.50
TR	1	500	YELLOW	3.25	1.50
TR	1	850	GRAY	3.75	1.50
TR	2	30	BLUE	3.75	1.50
TR	2	60	GREEN	3.75	1.50
TR	2	120	RED	3.75	1.50
TR	2	200	BLACK	3.75	1.50
TR	2	300	YELLOW	4.25	1.50
TR	2	450	YELLOW/GRAY	4.25	1.50



For more information regarding the VIBmount-TR Isolator, please visit us at [www.vibiso.com](http://www.vibiso.com).