

Applications

- Suspended equipment
- Piping and ductwork
- Suspended dropped ceilings
- Structured ceilings

Features

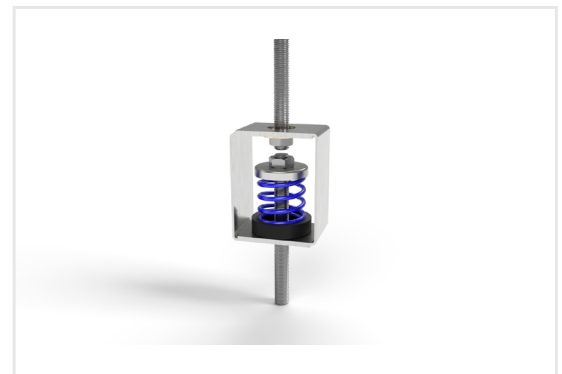
- High-grade steel housing
- Zinc-plated housing
- Double-deflection isolator with spring and elastomeric element
- Compact size
- Allows 30° misalignment
- Easy installation
- Available in a variety of mounting configurations



VIB-ISO
P.O. Box 1022
Wooster, OH 44691
1-800-735-9645

VIBhanger-MS Isolator

In areas where height is restricted, the VIBhanger-MS double-deflection isolator utilizes both a steel spring assembly and an elastomeric element to reduce vibration. Designed to attach between a building structure and a suspended piece of equipment, piping, or suspended ceiling, the VIBhanger-MS will aid to reduce the vibration from mechanical, electrical, plumbing piping systems and dropped ceilings through to the building structure.



Assembled VIBhanger-MS Isolator

Each VIBhanger-MS includes a compact, steel spring assembly in series with an elastomeric, anti-snubbing element to lessen both low and high frequency vibration. The elastomeric element further reduces the potential for metal-on-metal contact, thus increasing its vibration reduction capabilities and sound dampening attributes.

The VIBhanger-MS can be used individually or in series depending on the size of the piece of equipment or piping requiring frequency vibration isolation.

All thread rod (supplied by others) is field adjustable to meet specific on-site requirements of the piece of equipment. The VIBhanger-MS design allows for quick, on-site assembly requiring only basic tools for installation.

VIBhanger-MS Attributes

The compact size of the VIBhanger-MS allows it to be used in areas where height restrictions are especially strained. The steel spring reduces low frequency vibrations, while the elastomeric piece lessens high frequency. The VIBhanger-MS design meets all applicable industry standards, codes, and requirements. VIB-ISO's VIBhanger-MS is recommended for isolating suspended equipment with excessive movements that produce vibration concerns including, but not limited to, fans, piping, ductwork, other M/E/P equipment, and dropped ceilings.



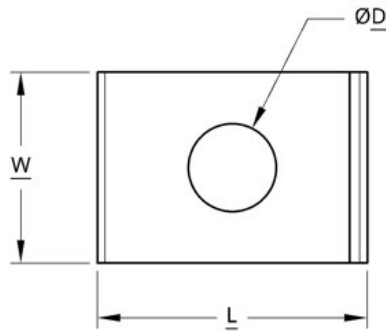
Product Data Sheet: VIBhanger-MS

VIBhanger-MS Specifications

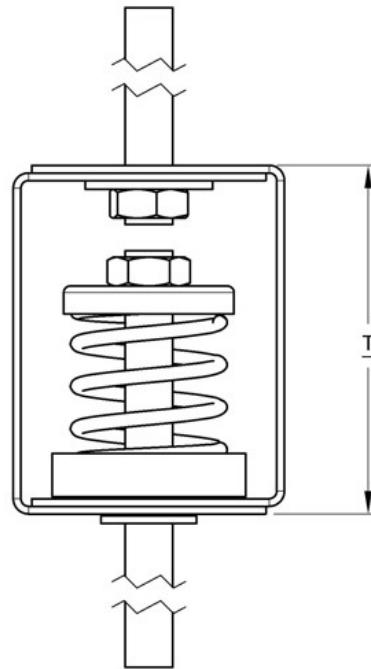
1. Compact, steel spring assembly.
2. Anti-short circuit, rubber snubbing elastomeric element.
3. All thread rod (supplied by others).
4. High-grade steel housing.
5. Allows 30° misalignment.
6. Zinc plated housing.
7. 100% Made in the U.S.A.

ISOLATOR DIMENSIONS (INCHES)					
HOUSING	ROD	L	W	T	D
MS	0.375	2.10	1.50	2.75	0.69 dia.

SPRING DATA (INCHES AND POUNDS)				
HOUSING	RATING	COLOR	FREE HT.	O.D.
MS	15	GRAY	1.50	1.23
MS	30	BLUE	1.50	1.23
MS	50	BLACK	1.50	1.23
MS	70	GREEN	1.50	1.23
MS	81	YELLOW	1.50	1.46



TOP VIEW



SIDE VIEW

For more information regarding the VIBhanger-MS Isolator, please visit us at www.vibiso.com.

REV 3/26