

Applications

- Suspended equipment
- Piping and ductwork
- Suspended dropped ceilings
- Structured ceilings

Features

- High-grade steel housing
- Zinc-plated housing
- Elastomeric isolator
- Allows 30° misalignment
- Easy installation
- Available in a variety of mounting configurations



VIB-ISO

P.O. Box 1022
Wooster, OH 44691
1-800-735-9645

VIBhanger-MR Isolator

The VIBhanger-MR isolator is VIB-ISO's elastomeric vibration reducing hanger isolator. Designed to attach between a building structure and a suspended piece of equipment, piping or ceiling, the VIBhanger-MR will aid to reduce the vibration from mechanical, electrical, plumbing piping systems, and ceilings through to the building structure.

Each VIBhanger-MR is comprised of an elastomeric element, which is also anti-snubbing. This design further reduces the potential for metal-on-metal contact, thus increasing its vibration reduction capabilities and sound dampening attributes.

The VIBhanger-MR can be used individually or in series depending on the size of the piece of equipment, piping or ceiling requiring frequency vibration isolation.

All thread rod (supplied by others) is field adjustable to meet specific on-site requirements of the piece of equipment.

The VIBhanger-MR design allows for quick, on-site assembly requiring only basic tools for installation.



Assembled VIBhanger-MR Isolator

VIBhanger-MR Attributes

The VIBhanger-MR uses an elastomeric material to absorb the vast majority of vibration energy emanating from suspended pieces of equipment, piping, and dropped ceilings. The VIBhanger-MR design meets all applicable industry standards, codes, and requirements. VIB-ISO's VIBhanger-MR is recommended for isolating suspended equipment with excessive movements that produce vibration concerns including, but not limited to, fans, piping, ductwork, other M/E/P equipment, and dropped ceilings.



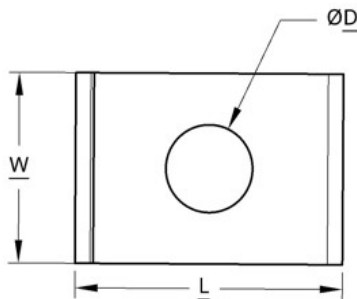
Product Data Sheet: VIBhanger-MR

VIBhanger-MR Specifications

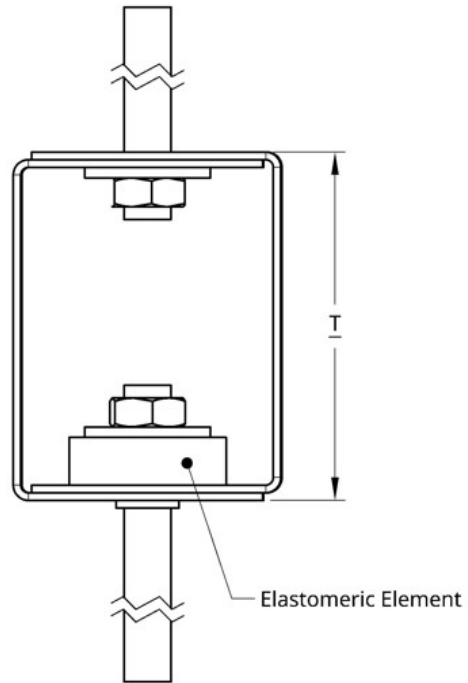
1. Compact, steel spring assembly.
2. Anti-short circuit, rubber snubbing elastomeric element.
3. All thread rod (supplied by others).
4. High-grade steel housing.
5. Allows 30° misalignment.
6. Zinc plated housing.
7. 100% Made in the U.S.A.

ISOLATOR DIMENSIONS (INCHES)					
HOUSING	ROD	L	W	T	D
MR	0.375	2.10	1.50	2.75	0.69 dia.

ELEMENT RATING (INCHES AND POUNDS)		
PART #	RATED	
	LOAD	DEFLECTION
MR-80	80	0.09
MR-130	130	0.04



TOP VIEW



SIDE VIEW

For more information regarding the VIBhanger-MR Isoalator, please visit us at www.vibiso.com.

REV 3/26